



Rollmasta®

LIGHT INDUSTRIAL DOOR (R2F)



Economical rolling door suitable for use in applications such as counters, kiosks & bars, emergency services and factories & warehouse.

CURTAIN



0.4mm continuous break pressed steel curtain.

SIZE	MINIMUM DOOR SIZE	MAXIMUM DOOR SIZE
HEIGHT	1450mm	5100mm
WIDTH	2000mm	5100mm

BOTTOM RAIL

Aluminium bottom rail with weatherseal.

Taper: Optional. To maximum 5100mm (w). Minimum taper ratio is 1:150. Maximum taper ratio is 1:10, with maximum total taper 250mm.

GUIDES

Supplied with 50mm guides.
Windlocking: No.

DRUM

Galvanised pressed metal.

SPRINGS

Spring life for over 15,000 cycles.

OPERATION

Nylon woven running strips minimises friction, ensures continuous smooth, quiet operation for a minimum of 15,000 cycles.

MANUAL

- Doors up to 2400mm (h) - without hauling chain wheel equipment.
- Doors 2400mm-3000mm (h) - efficient direct chain drive.
- Doors over 3000mm (h) - efficient, compact, planetary reduction gearing.

AUTOMATED

- GDO-10
- AXESS PRO

BRACKETS

Hot dipped, galvanised 50mm hot rolled steel.

LOCKING

Waist high slide bolt locking is located internally, supplied left hand side as standard. On wider doors locks fitted both sides.

OPTIONS

- Centre lift lock with external key and internal knob operation.
- Internal and/or external bottom rail slide bolt locking.
- Chain cleat (not lockable).

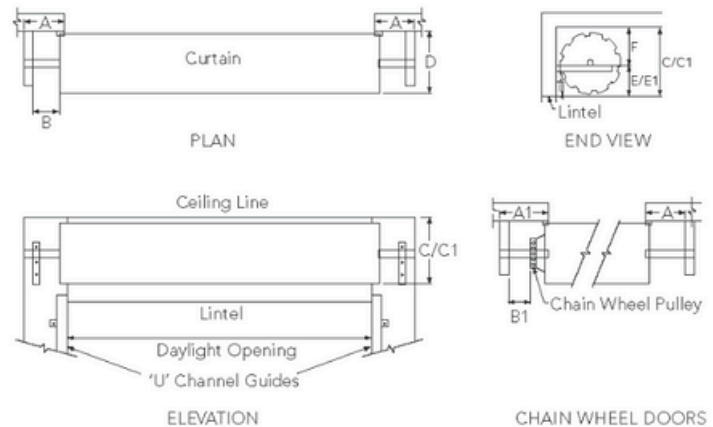
FINISHES

Extensive range of standard Colorbond® colours and Zinalume® finish.

OPTIONS

Ventilation: Optional. Slotted.

CLEARANCES



DIMENSIONS

HEIGHT	A	A1	A1*	B	B1	C	C1	D	E	E1	F
Up to 2400	135	125	160/450	35	N/A	540	475	555	245	180	295
2401-2700	135	135	160/450	35	5	620	555	565	310	245	310
2701-3000	175	205	160/450	35	5	620	555	565	310	245	310
3001-3300	195	225	160/450	35	5	620	555	565	310	245	310
3301-4200	195	225	160/450	35	5	620	555	585	310	245	310
4201-5100	210	225	160/450	35	5	635	590	615	310	265	325

*All measurements are in mm.

Call 13 62 63 or visit www.bnd.com.au for further information.

B&D Doors is a division of B&D Australia Pty Ltd ABN 25 010 473 971 ©2017 B&D Australia



Information relating to product measurements, colours and specifications is accurate at the time of print and is subject to slight variations resulting from the manufacturing process. B&D reserves the right to change product specifications at any time. Installation measurements are approximate and may vary depending on application and other factors, including the opening and structure. Take care when handling and storing slats. Damage to the slats can affect door performance.

Installation should only be performed by a professional garage door installer. Installers should refer to the instruction manual for this product prior to commencing installation. The instruction manual contains important safety and other information that must be followed when installing the product.