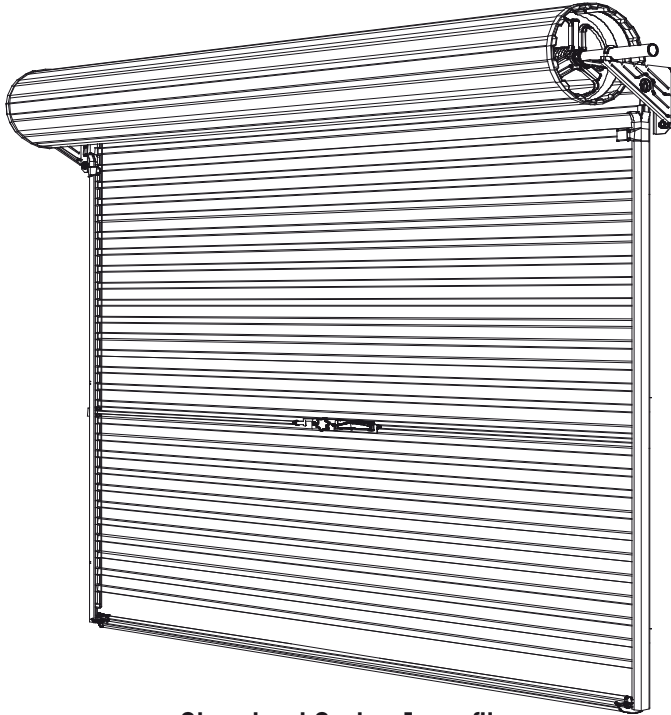




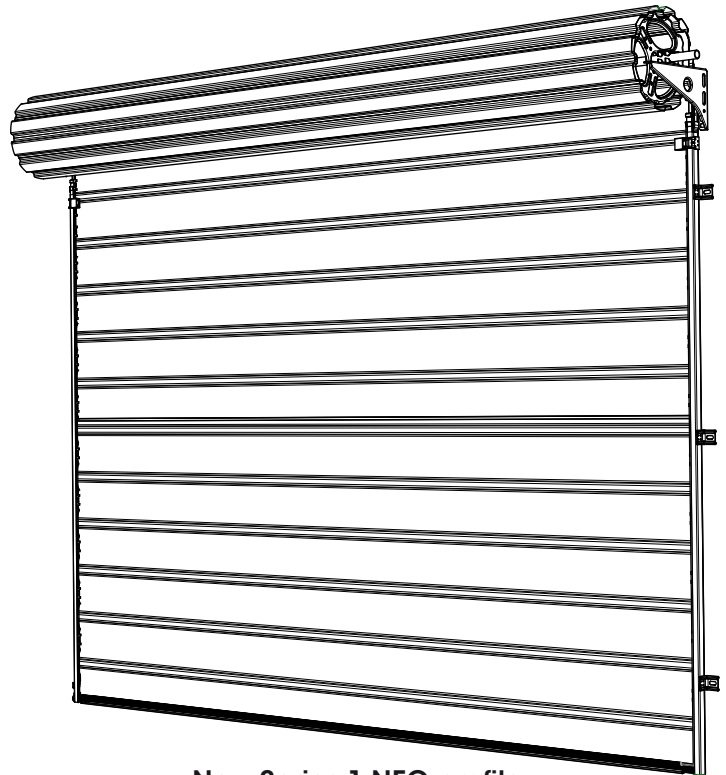
**b&d**

# Roll-A-Door®

Series 1 - Installation instructions  
(including Windlock option)



Standard Series 1 profile  
(R1D, R1M, R1P)



New Series 1 NEO profile  
(R1N)

These instructions are intended for professional garage door installers. All references are taken from inside looking out.

DOC# 165100\_15  
PART NO# 007488  
RELEASED: 17/10/23

[www.bnd.com.au](http://www.bnd.com.au)



**b&d**

## contents

<b>1.0 before you begin</b>	<b>3</b>
1.1 installation safety warnings	3
1.2 substrate fastener recommendations	4
1.3 requirements before installation	5
1.3.1 measurements	5
1.3.2 measurements continued	6
1.4 tools	7
1.5 parts checklist	7
1.6 initial calculations	7
<b>2.0 installation</b>	<b>8</b>
2.1 install first bracket	8
2.2 install second bracket	8
2.3 place door on brackets	9
2.4 position door	9
2.5 tension the springs	10
2.6 bottom stop hole positions	10
2.7 attaching stop	10
2.8 guides	11
2.9 troubleshooting	13
2.10 centralise the axle when door is mounted	13
2.11 to adjust spring tension	14
<b>3.0 appendix</b>	<b>15</b>
3.1 fixing alternatives	15
3.2 centre lift handle	16
3.3 fitting plastic lift handle (R1D only)	17
3.4 fitting metal lift handle (R1M only)	17
3.5 centre lift lock	18
3.6 additional locks (R1M)	19
3.7 after installation care	20

# 1.0 before you begin

## 1.1 installation safety warnings

This B&D Roll-A-Door is designed and tested to provide security, attractive appearance and smooth , low effort operation provided it is installed and operated in strict accordance with the following safety warnings. Failure to comply with the following instructions may result in death, serious personal injury or property damage.

**NOTE:** No guarantee will be given or responsibility accepted by the manufacturers if the door is not installed as instructed.



### WARNING!

Crush injury from unsecured door

Tension Springs

- Place a 2 metre exclusion zone around area under the garage opening while installing door. If sufficient area is not available DO NOT install door.
- Do not move under a door while it is on the door support (or lifting device).
- Follow the installation instructions.
- Fit door support (or lifting device) snugly under door before lifting.
- Ensure door support (or lifting device) is on flat ground.
- Ensure the door is immediately fastened to the bracket with the "U" Bolt.
- Ensure no-one walks under a door sitting on brackets.
- Ensure door is correctly secured at all times when making adjustments.
- Ensure the correct length pipe wrench is utilised.
- Ensure that pipe wrench is fitted correctly to the axle and if it is gripped onto the axle do not underestimate the tension in the spring when undoing the clamps.
- Ensure correct bolts are tightened or loosened to ensure there is no release or controlled release of energy from the spring through the pipe wrench.
- Keep head clear of the pipe wrench at all times.



### ELECTROCUTION!

- Check risk assessment for any highlighted electrical power concerns.
- Ensure power source is isolated prior to commencement of job.
- Turn off electricity to site when necessary.
- Wear rubber soled footwear.



### LACERATION:

- Wear appropriate PPE (Dyneema cut off gloves) and keep hands well clear of pinch points.
- Follow instructions explicitly, particularly for the installation of some parts of the doors, as the unrolled cut out edges presents a very sharp edge.



### CAUTION:

Muscular strain

Fall from ladder

Hand Tools

Entanglement

- Practice correct lifting techniques when required to lift the door.
- Use mechanical aids such as lifting devices, forklift and cranes where possible.
- Avoid twisting.
- Use correct technique of knotted rope installation aids.
- Ensure ladder is the correct type for job.
- Ensure ladder is on flat firm ground that will take the weight without the legs sinking.
- Ensure user has 3 points of contact while on ladder.
- Wear appropriate PPE and utilise operators manual of all tools.
- Use appropriate noise/hearing protection in the form of ear plugs or ear muffs.
- Ensure appropriate fire protection available and housekeeping to ensure that flammable liquids or materials are removed from the area of work.
- Keep hands and loose clothing clear of moving door and guides at all times.
- When a mechanical aid is not used this product requires a two person lift to raise onto the brackets. Use proper techniques and equipment to lift the door from the trailer and up onto brackets.



### TWO PERSON LIFT:

## 1.2 substrate fastener recommendations

**WARNING!** Coach bolts/screws are NOT suitable for windrated doors. Refer to High Wind drawings on the B&D Website for [Region A&B](#) or [Region C](#).

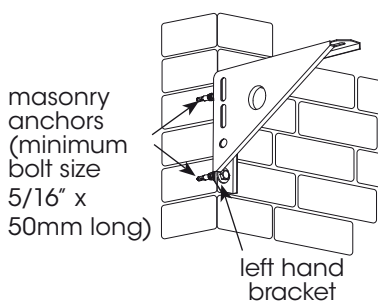
**WARNING!** The installer must select and use fasteners appropriate to the material into which they are being fixed.

### important notes

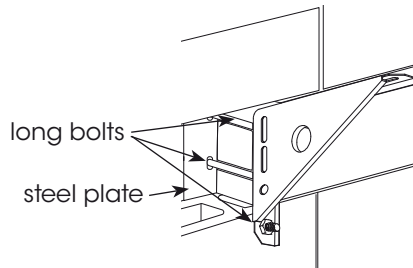
- a) For installation to materials not covered in the chart, the installer should seek expert advice from a qualified builder.
- b) Minimum length of fastener does not exclude use of longer lengths. Decision must be made by fitter to ensure adequate strength.
- c) Recommendations for old materials or materials not in good condition are not included. If in doubt about the strength of the material seek specialist advice.
- d) Fasteners for brackets in masonry should be at least 5/16" x 2.5" long or metric equivalent.
- e) Use the washers supplied in the parts bag to all fixings.

material	fastener type(s)	diameter or type	length of fastener (see note)	BKT	GUIDE
New Solid Brick	Coach Bolts (Hex Lag Screw) and washers - combined with wall plugs	5/16" x	1 1/2"		•
		3/8" x	2"	•	•
	Macplugs (wall plugs) to suit above	5/16" x	50mm		•
		3/8" x	60mm	•	•
New Hollow Brick	HRD-VGK or HGK-VGS (Hex Head) Frame Anchors with washers	12mm x	55mm	•	
		10mm x	60mm	•	•
New Solid Concrete	Coach Bolts (Hex Lag Screw) and washers - combined with wall plugs	5/16" x	1 1/2"		•
		3/8" x	2"	•	•
	Macplugs (wall plugs) to suit above	5/16" x	50mm		•
		3/8" x	60mm	•	•
Steel Framing e.g. BHP Framing (with rear access)	Hex Head Bolt Zinc Plated, Hexagon Nuts Zinc Plated, Washers Zinc Plated	5/16" x	1"		•
		3/8" x	1"	•	•
		10mm x	25mm	•	•
		12mm x	25mm	•	
Heavy Gauge Steel	Hex Head Tek and washers	14-20 x	22mm	•	•
Light Steel Framing e.g. BHP House Framing (no rear access)	Heavy Duty Kap Toggle	10mm x	100mm	•	•
		12mm x	100mm	•	
	Hex Head Tek and washers	6-10 x	20mm		•
New Timber	Coach Bolts (Hex Lag Screw) and washers	5/16" x	1 1/2"		•
		3/8" x	2"	•	•
	Hex Head Tek and washers	14-10 x	50mm	•	•

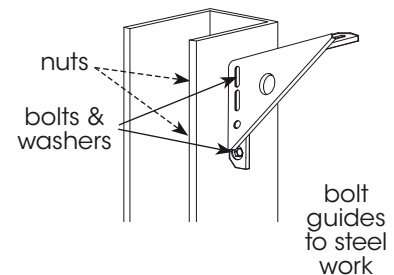
### BRICK CONSTRUCTION



### MASONRY BLOCK CONSTRUCTION



### STEEL CONSTRUCTION



**WARNING!** Masonry blockwork should be properly filled and reinforced if brackets are to be mounted directly to blockwork with masonry anchors. Where the blockwork is not solidly filled but structurally sound, long bolts should be passed through the blockwork using suitable steel plates under bolt heads. Special consideration should be given to brick type and construction of wall, to ensure satisfactory fixing.



### 1.3 requirements before installation



**WARNING!** If you need to remove an old door prior to installing a B&D door ensure to:

- Roll the door up and place a secure tie around the middle
- Place door support on flat ground
- Fit door support snugly under door before loosening the brackets or locating U bolts.
- Slowly undo bolts to release the spring tension and the door from the brackets.
- Slowly lift the door from the brackets keeping it balanced as it is lowered to the ground.

**mounting** - The door is designed to be mounted behind the opening.

**obstructions** - Ensure that the surface where the door will be fitted is flush and smooth, and the area behind the opening is free from any protrusions.

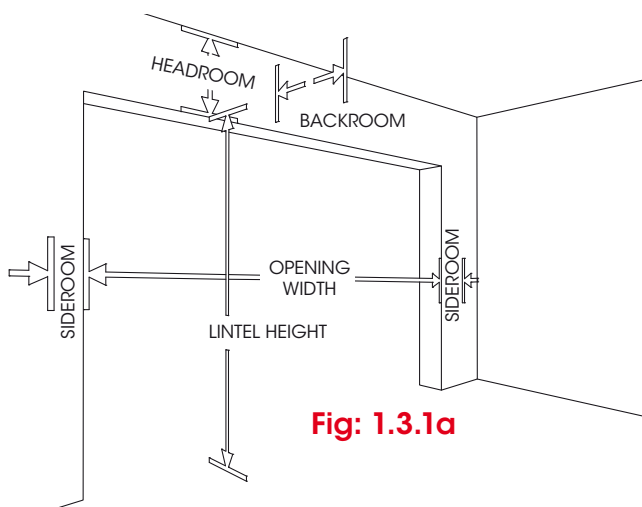
**structural suitability** - Ensure the opening is strong enough to support the door. If unsure, consult a builder.

**level and plumb** - The door must be installed in an absolutely level position, if opening is not level and square, appearance and/or sideroom requirements will be affected. The floor should be level or recessed across the opening to avoid gaps.

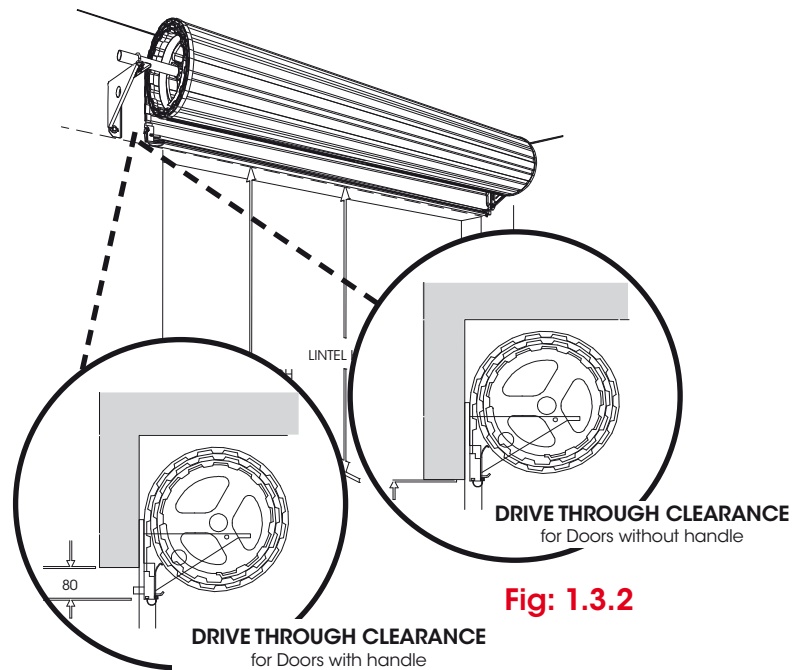
#### 1.3.1 measurements

**opening width** - As the standard door overlaps each side by 30mm or more, the door should be 60mm wider than the opening. A wider door like NEO R1N (40mm each side overlap, 80mm wider than opening) can be fitted as long as additional sideroom and fixing is available. **(Fig 1.3.1a)** Max drive through heights for each door height are listed in **Fig 1.3.1b**. Wind-Locked doors require additional overlap dependent on the substrate, consult the B&D High Wind Certification Drawings for more detail.

**opening height** - The door opening height (or drive through clearance) indicates the distance between the ground and rubber seal at the bottom of the door, with door fully open. For doors with a handle, the bottom rail is recommended to hang a minimum of **80mm below** the lintel. **(Fig 1.3.2)**



**Fig: 1.3.1a**



**Fig: 1.3.2**

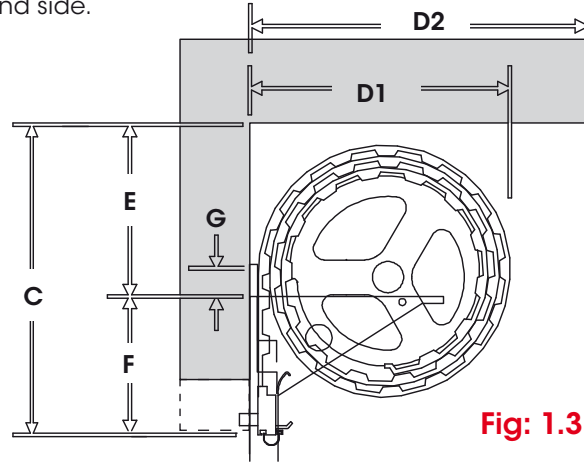
**Fig: 1.3.1b**

Description	Neo		Squareline Deluxe		Rollmasta		Mini Warehouse	
Model code	R1N		R1D		R1P		R1M	
	Door Height	Max Drive Height	Door Height	Max Drive Height	Door Height	Max Drive Height	Door Height	Max Drive Height
Door & Max Drive Through Heights (mm)	-	-	1250	1250	1250	1250	1250	1250
	2100	2100	2100	2100	2100	2100	2100	2100
	2400	2400	2400	2400	2400	2400	2400	2400
	2700	2700	2700	2700	2700	2700	2700	2700
	3000	3000	3000	3000	3000	3000	3000	3000
Max Door Width (including overlap)	3150mm		3150mm		3150mm		3150mm	

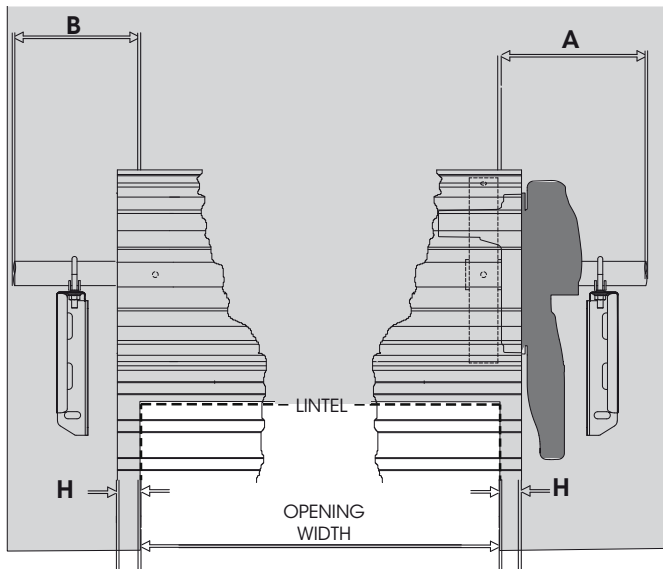
**1.3.2 measurements continued**

**headroom** - Refer to **Fig 1.3.2a and 1.3.2d** for measurements for doors with and without handles. If the door is installed lower into the opening than shown in Fig 1.3.2a additional loss of door opening height will result.

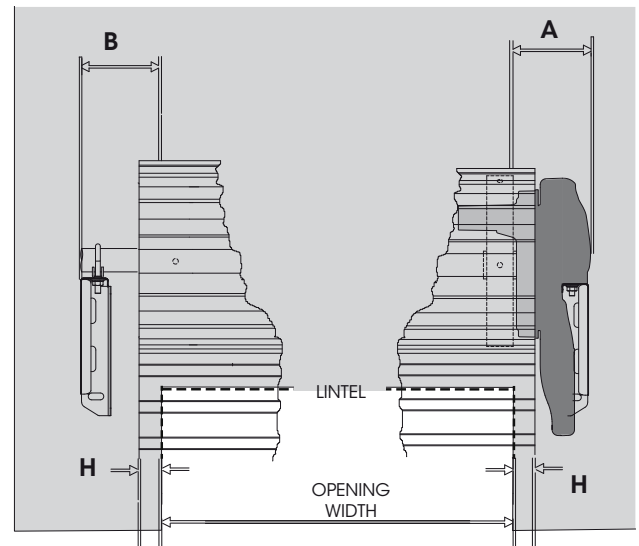
**sideroom**- is required on each side over opening width and should extend above the lintel to allow for bracket fixing. Refer to **Fig 1.3.2b - 1.3.2d** for sideroom required to install door with or without an opener. Opener can be installed either left or right hand side.



**Fig: 1.3.2a**



**Fig: 1.3.2b** **RECOMMENDED SIDEROOM**  
Required for door & opener



**Fig: 1.3.2c** **RESTRICTED SIDEROOM**  
Required for door & opener

**Fig: 1.3.2d**

dimension panel											
installation	height (mm)	width (mm)	A*	B*	C	D		E	F	G	H
						D1	D2*				
Recommended	up to 2400	up to 3150	185	185	430	440	480	230	200	0	30
	2401-3000	up to 3150	185	185	450	460	500	250	200	0	
Restricted	up to 2400	up to 3150	115	85	395	440	480	230	165	35	30
	2401-3000	up to 3150	115	85	415	460	500	250	165	35	
R1N Only	up to 2400	up to 3150	195	195	450	440	500	250	200	0	40
	2401-3000	up to 3150	125	95	450	460	500	250		0	
Windlocked	up to 2400	up to 3150	185	185	430	440	480	230	200	0	55+
			160	130	450	460	500	250		35	
	2401-3000	up to 3150	185	185	450	460	500	250		0	
			160	130	450	460	500	250		35	

**CAUTION:** NEO (R1D) Doors cannot be installed with removable mullions.

\*A Based on a Controll-A-Door PowerDrive.

\*B Alternate brackets have increased sideroom. Refer to Appendix 3.1 for measurements.

NOTE: R1N Doors over 2400mm (H) have larger bracket. Windlock option not available on all R1N doors.

NOTE: Wind-Locked doors may need between 55 - 68mm curtain overlap on both sides, depending on the substrate used.

D1 & D2\* are the minimum measurements and optimum backroom clearance required for installation.



### 1.4 tools

A professional installers tool kit is required to install the door. You will need assistance to help you lift the door up safely and carry out some other steps.

A Soft Wood Chock will help hold the door until the guides and stops are fitted. Prepare a 400mm long Wood Chock as per diagram Figure 1.4.1.



Fig: 1.4.1

### 1.5 parts checklist

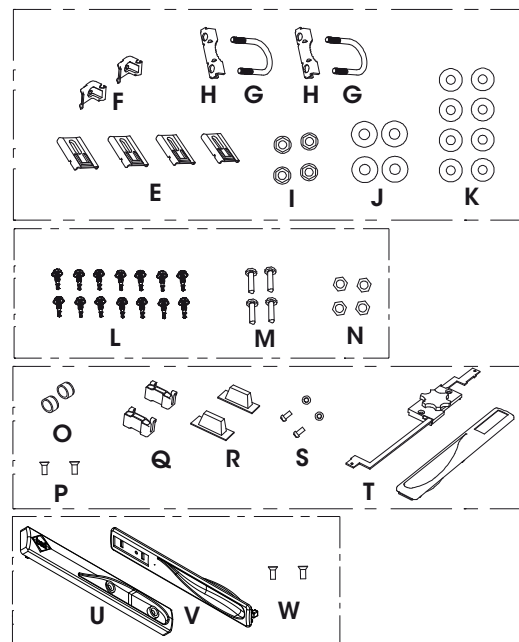
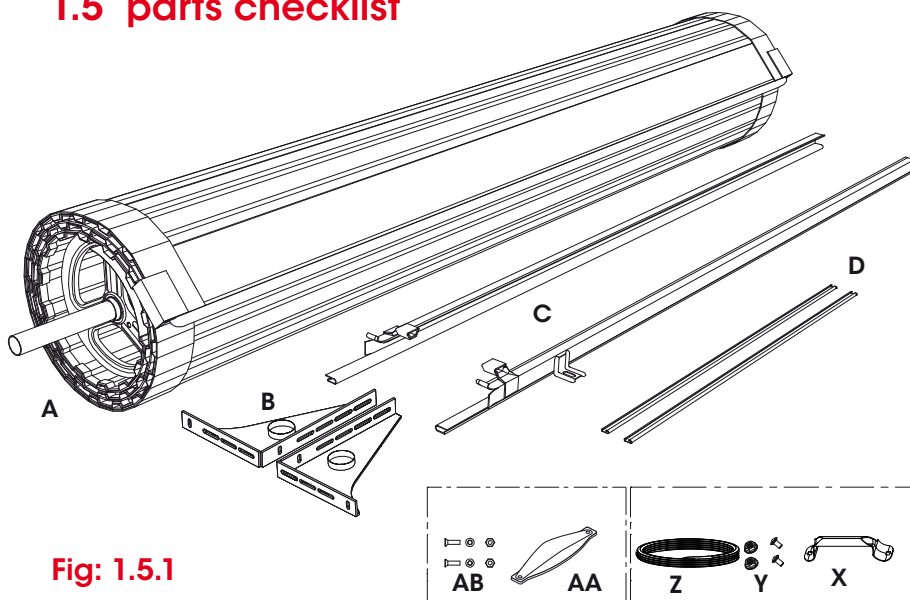


Fig: 1.5.1

SERIES 1 ROLL-A-DOOR					SERIES 1 ROLL-A-DOOR				
ITEM	DESCRIPTION	R1D, R1P	R1M, R1N	HW	ITEM	DESCRIPTION	R1D, R1P	R1M, R1N	HW
A	ROLLED PLASTIC WRAPPED DOOR	1	1	1	LOCK BAG (IF SELECTED)				
B	"A" STYLE BRACKETS, LEFT AND RIGHT HANDED	2	2	2	O	RUBBER GROMMETS	2	-	2
C	DOORS GUIDES LEFT AND RIGHT HANDED	2	2	2	P	COUNTER SUNK SCREWS	2	-	2
D	STEEL LOCKING BARS (IF SELECTED)	2	-	2	Q	LOCKING BAR RETAINER	2	-	2
SMALL PARTS BAG					R	LOCKING BAR COVERS	2	-	2
E	GUIDE CLIPS	6	6	0	S	7MM X 4MM MUSHROOM HEAD SCREWS	2	-	2
F	BOTTOM RAIL STOPS AND 6MM SCREWS	2	2	2	T	FACEPLATE AND LOCK ASSEMBLY 2-KEYS	1	-	1
G	"U" BOLTS	2	2	2	CENTRE LIFT HANDLE BAG (IF SELECTED)				
H	AXLE / BRACKET SADDLES	2	2	2	U	CENTRE LIFT HANDLE W/ BACKING PLATE	1	-	1
I	8MM NUTS FOR "U" BOLTS	4	4	4	V	FACEPLATE WITH NAME INSERT	1	-	1
J	10MM WASHERS	4	4	4	W	M5 X 12 CSK SCREW	2	-	2
K	8MM WASHERS	10	10	10	STEEL HANDLE PARTS BAG (R1M ONLY)				
STEEL FIX PARTS BAG ADDS					X	HANDLE "D" PRESSED METAL	-	1	-
L	TEK SCREWS 14G - 20MM X 25MM	14	14	14	Y	1/4 X 1 1/2 MS COACH BOLT & FLANGE NUT	-	2	-
M	3/8 X 1 HEX SET SCREW FOR BRACKETS	4	4	4	Z	ROPE PULL LONG LFT 6MM X 900MM	-	1	-
N	3/8 HEX NUT FOR BRACKETS	4	4	4	PLASTIC HANDLE PARTS BAG (IF SELECTED)				
					AA	HANDLE PLASTIC	1	-	-
					AB	COUNTER SUNK SCREWS, WASHERS & NUTS	2	-	-

### 1.6 initial calculations

- Measure the opening width of garage.
- Measure the door curtain width.
- Calculate over lap for each side:  $\text{door width} - \text{opening width} \div 2 = \text{over lap}$
- Mark the line for the edge of door curtain (over lap) on each side of the opening.



- Standard Series 1 doors = 30mm (minimum) overlap each side
- NEO Series 1 doors = 40mm (minimum) overlap each side
- Windlock (HW) Series 1 doors = 55+mm (minimum) overlap each side



## 2.0 installation

### 2.1 install first bracket



For alternate brackets please refer to Appendix 3.1 fixing alternatives.

dimension panel							
installation	height (mm)	width (mm)	A*	B	C	E	F
Recommended	up to 2400	up to 3150	185	185	430	230	200
	2401-3000	up to 3150	185	185	450	250	200
Restricted	up to 2400	up to 3150	115	85	395	230	165
	2401-3000	up to 3150	115	85	415	250	165
R1N Only	up to 2400	up to 3150	195	195	450	250	200
			125	95	450	250	
	2401-3000	up to 3150	195	195	470	270	
			125	110	470	270	
Windlocked	up to 2400	up to 3150	185	185	430	230	200
			160	130	450	250	
	2401-3000	up to 3150	185	185	450	250	
			160	130	450	250	

\*A Based on a Controll-A-Door PowerDrive Opener.  
 NOTE: Doors over 2400mm (have larger bracket)

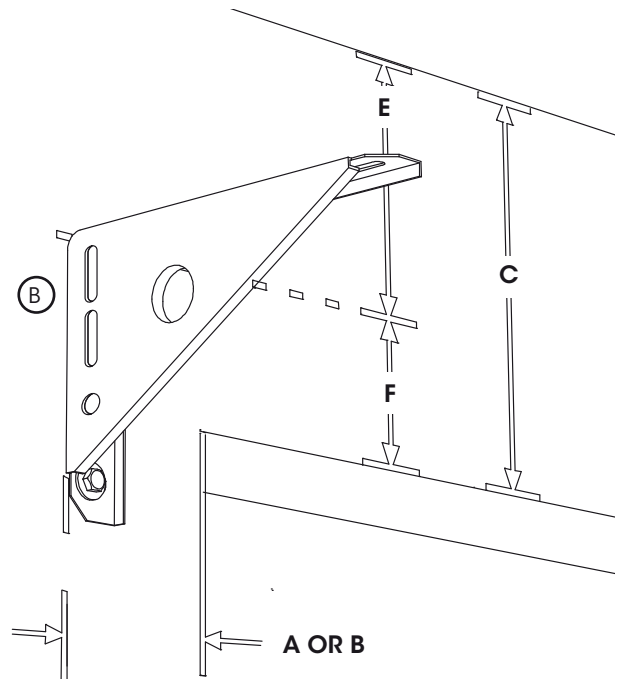


Fig: 2.1.1



**WARNING!** The installer must select and use fasteners appropriate to the material into which they are being fixed. Refer to Section 1.2 for recommendations.



Take note of drive through clearance heights in fig 1.4.2b as the bottom rail will hang into the opening on some doors, therefore reducing the opening.

- Use above diagram and table Fig 2.1.1 for head and sideroom clearances.
- Mark two hole positions using top and bottom slots of the bracket (B).
- Drill both holes, then attach bracket using large diameter washers with 2x100xM10 Anchor screws or equivalent.
- For fixing to steel jamb, drill two holes and fix bracket with 2 x hex set screws (M) with large washers (J) and nuts (N) if accessible for nuts. Otherwise use 3 x Teks Screws (L) and 3 x small washers (K).



**WARNING!** The structure substrate must conform to High Wind compliance. Refer to [bac.nt.gov.au](http://bac.nt.gov.au) for the DTCM Manual or B&D High Wind drawings for [Region A&B](#) or [Region C](#).

### 2.2 install second bracket

- Using a laser or water level, mark the position for the second bracket (Fig 2.2.1)
- Re-check levels then drill and fix as with first bracket.



**CAUTION:** The brackets must be perfectly level for the door to operate.

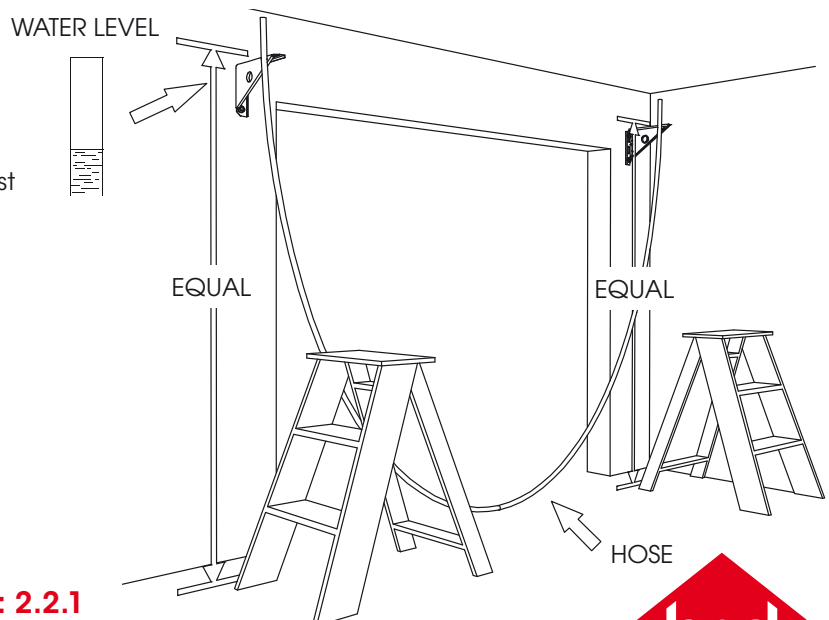


Fig: 2.2.1



### 2.3 place door on brackets

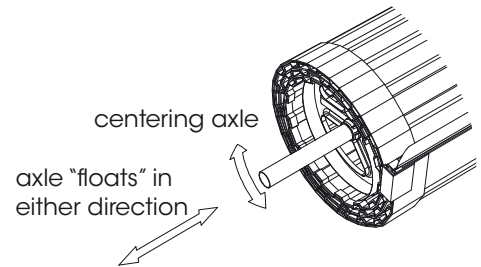


**TWO PERSON LIFT:** this product requires a two person lift to raise onto the brackets. Use proper techniques and equipment to lift the door from the trailer and up onto brackets.

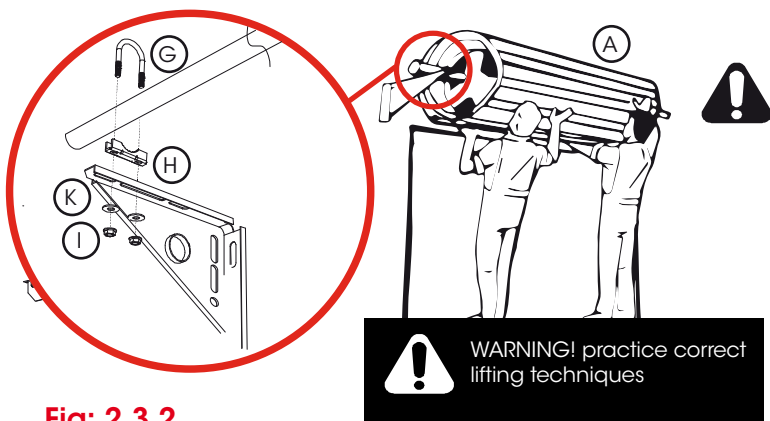


**CAUTION: DO NOT CUT THE PLASTIC WRAP OR PACKAGING YET**

- a) Check the axle length and cut if sideroom is limited. Before cutting, make sure the floating axle is free and centred (**Fig 2.3.1**). Centre will be found by rotating the axle a quarter turn in either direction then releasing. With centre found, make a clear mark on the axle against the hub for later reference.
- b) Lift door **(A)** onto the brackets (the right way round so that the door will roll down from the front of the opening). Immediately loosely fit the "U" bolts **(G)**, saddles **(H)**, 2 x washers **(K)** and nuts **(I)** to each bracket in position shown (**Fig 2.3.2**). Fitting the 'U' bolts eliminates the door falling from the brackets. (Do not tighten until Step 2.4, c)



**Fig: 2.3.1**

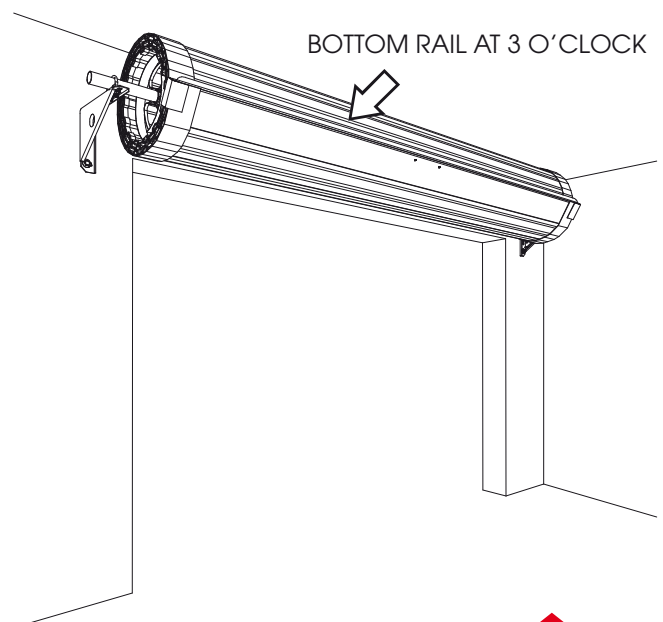


**Fig: 2.3.2**

**WARNING!** All NEO doors must be lifted by the axles to avoid damage to curtain.

### 2.4 position door

- a) Centre the door with the opening, while ensuring the floating axle is also centred with the door.  
Do this by lining up previous marks with the hub, then lift both the axle and the door together until it is centred with the opening.
- b) Rotate the curtain and axle so that the bottom rail of the door is positioned as shown (3 o'clock).
- c) Push the axle forward in the slots (toward the opening) and tighten the nuts firmly without over-tightening. (10 Newton metres or 6.6 feet/pounds torque reading).



**Fig: 2.4.1**



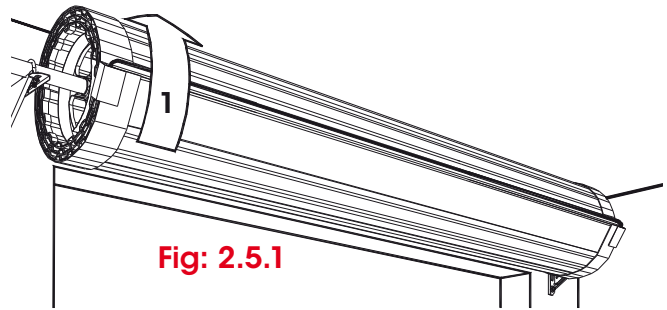
## 2.5 tension the springs



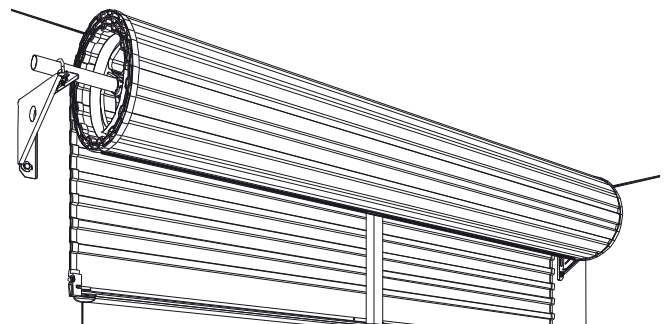
**WARNING!** Once the packaging containing the door roll is cut, the door will have a strong tendency to rise and revolve. If uncontrolled, the rapidly unrolling door could cause damage or injury.

- a) Ensure that the bottom rail is at the 3 o'clock position as shown in Step 2.4.
- b) Ensure both "U" bolts are tightened, then -
  1. Rotate the door 1½ turns in a forward direction to apply tension. Do not let go as the springs are now tensioned. See arrow in **Fig 2.5.1**.
  2. Hold the door firmly, **NOW** cut the plastic wrap along the bottom rail (taking care not to damage door surface or weatherseal).
- c) Pull the curtain down slowly and carefully position the wooden chock (or other appropriate stop) you made in Step 1.4, as shown in **Fig 2.5.2**. Take care not to damage door surface.

The chock will help hold the door until the guides and stops are fitted.



**Fig: 2.5.1**

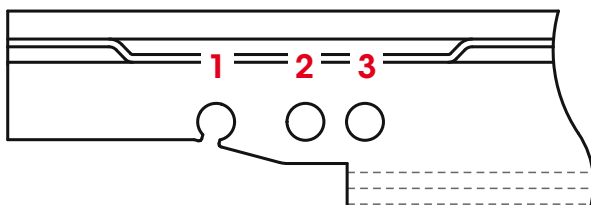


**Fig: 2.5.2**

## 2.6 bottom stop hole positions



**LACERATION:** Wear appropriate gloves as some edges of the door are very sharp.



**Fig: 2.6.1**

## 2.7 attaching stop

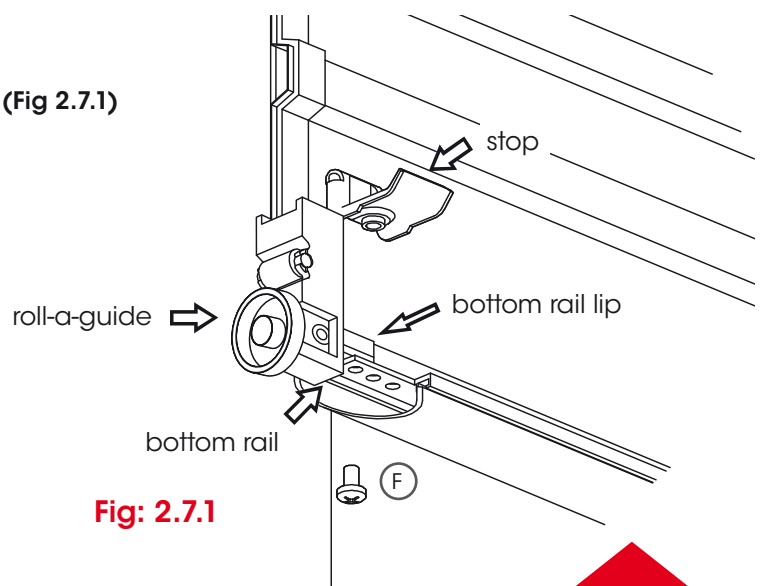
To attach bottom rail stops (F) to bottom rail of door. (**Fig 2.7.1**)

- a) Hook stop behind lip in rail, as shown.



**Standard Guide 1<sup>st</sup> hole**  
**Windlock Guides 3<sup>rd</sup> hole**

- b) Secure from underneath the rail with screws (F) supplied. You will need to trim the weatherseal flush with the end of the bottom rail.



**Fig: 2.7.1**

## 2.8 guides



**WARNING!** Do not grease the guides. Grease will damage the Nylofelt® running strips and affect the operation of the door.

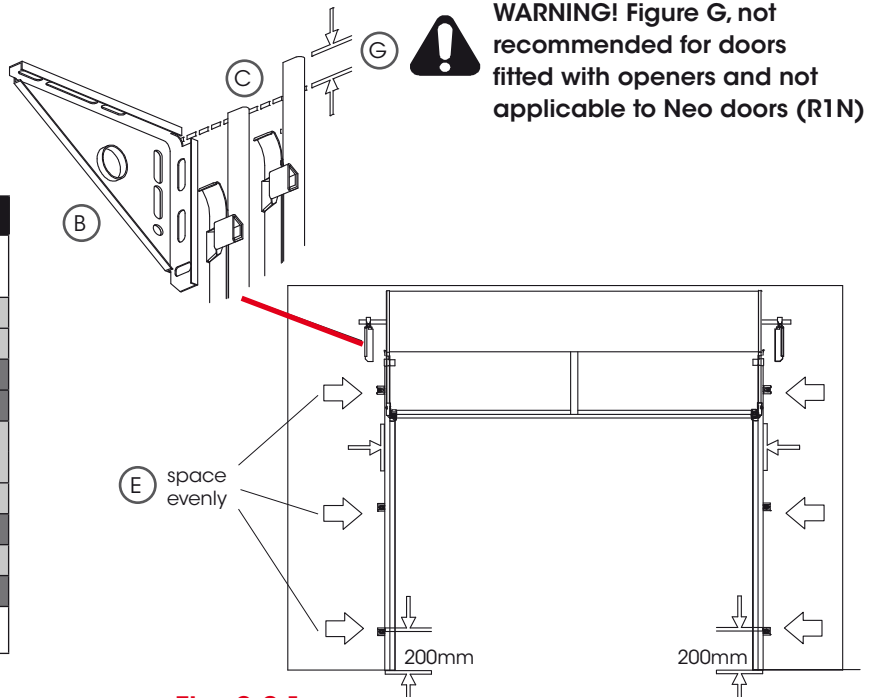


Fig: 2.8.1

dimension panel			
installation	height (mm)	width (mm)	G
Recommended	up to 2400	up to 3150	0
	2401-3000	up to 3150	0
Restricted	up to 2400	up to 3150	35
	2401-3000	up to 3150	35
R1N Only	up to 2400	up to 3150	0
	2401-3000	up to 3150	0
Windlocked	up to 2400	up to 3150	0
			35
	2401-3000	up to 3150	35

NOTE: R1N Doors over 2400mm (have larger bracket)



**WARNING!** All High Wind installations must adhere to fixing types and centres as referenced in the DTCM Drawings or High Wind Certification Drawings for [Region A&B](#) or [Region C](#).



If securing to uneven brickwork, packers may be required behind clips, to prevent them twisting out of square; also ensure that clips are positioned on secure bricks.



If an Auto-lock is being fitted to the door, this can effect the position of the bottom guide fixing clip.

- a) Check that curtain overlaps equally on both sides.
- b) Check that guides (C) are the correct length (normal or restricted), that is, level with the brackets (B). (Fig 2.8.1)
- c) For Series 1 Doors:
  - (i) Slide half the number of guide clips (E) into each guide (C). Position the bottom clip 200mm from the floor with the rest evenly spaced along the guide. (Fig 2.8.2)



To prevent clips from sliding down the guide, temporarily secure them with adhesive tape.

- (ii) Now position one guide over the edge of the door curtain. Mark and drill the top fixed guide clip and secure using correct fixing and washers as per table in **Section 1.2**, allowing no more than 1-3mm clearance between the inside of the guide and plastic Roll-A-Guide.
- (iii) Ensuring guide is plumb, then drill and fix remaining clips.

For Series 1 Windlock Doors:

- (i) If there is limited sideroom available the guide may need to have the side cut out to accommodate. See **Fig 2.8.3** for recommended and restricted sideroom with a clearance of 1-3mm to the bottom rail roller.
  - (ii) Now position one guide over the edge of the door curtain. Mark and drill at top guide hole and secure guide using fixing types as per [High Wind Certification drawings for Region A&B](#), or [Region C](#) taking note of the specific spacing requirements.
  - (iii) Ensuring guide is plumb, drill and fix remaining holes in guide as per spacing details listed for Region A&B.
- d) With the top of the 2nd guide level with the first, repeat (c) for the specific door type.

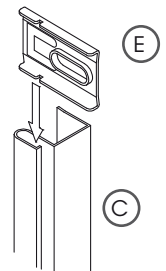


Fig: 2.8.2

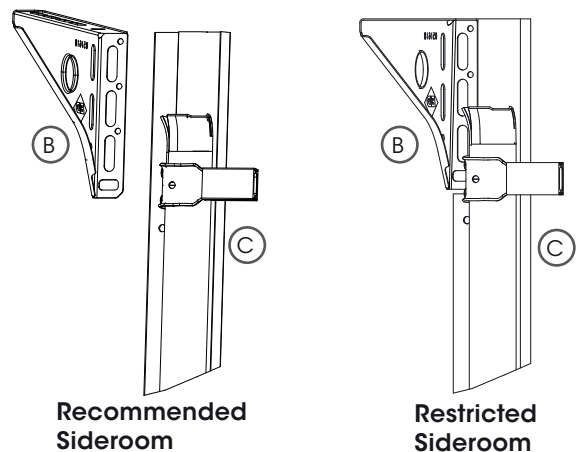
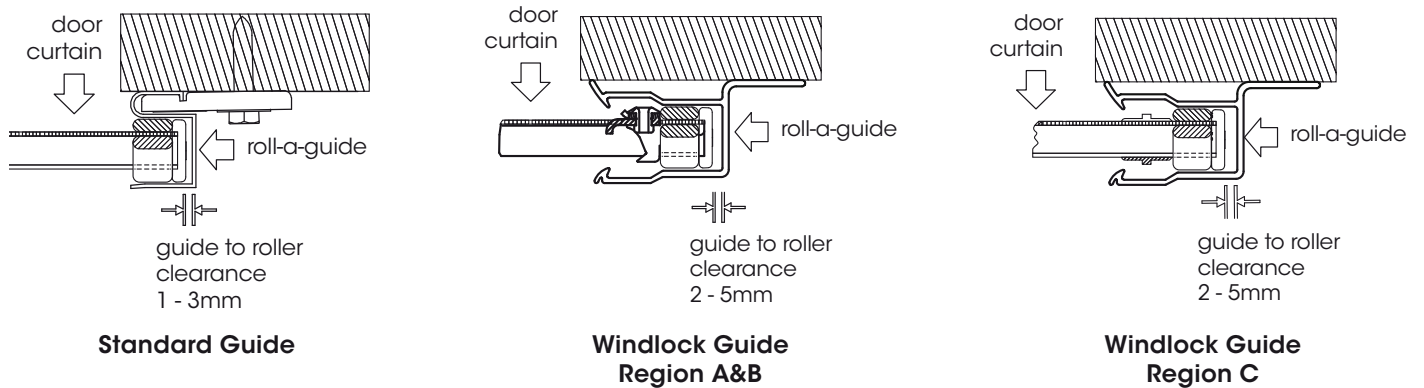


Fig: 2.8.3

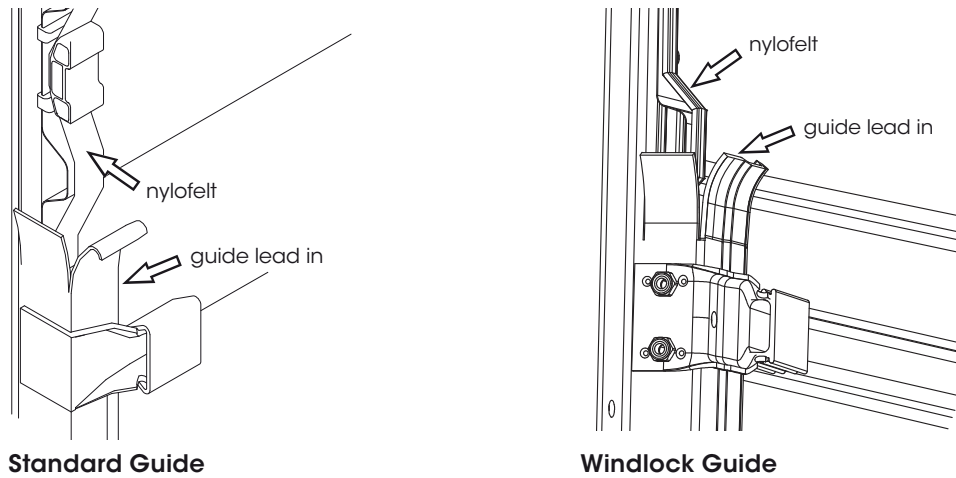


- e) Remove the wooden chock and slowly lower the door removing plastic wrap as you pull door down, reposition the guides as necessary to allow smooth and even operation with clearances shown below throughout. See images in **Fig 2.8.4** for each specific guide / wind region.



**Fig: 2.8.4**

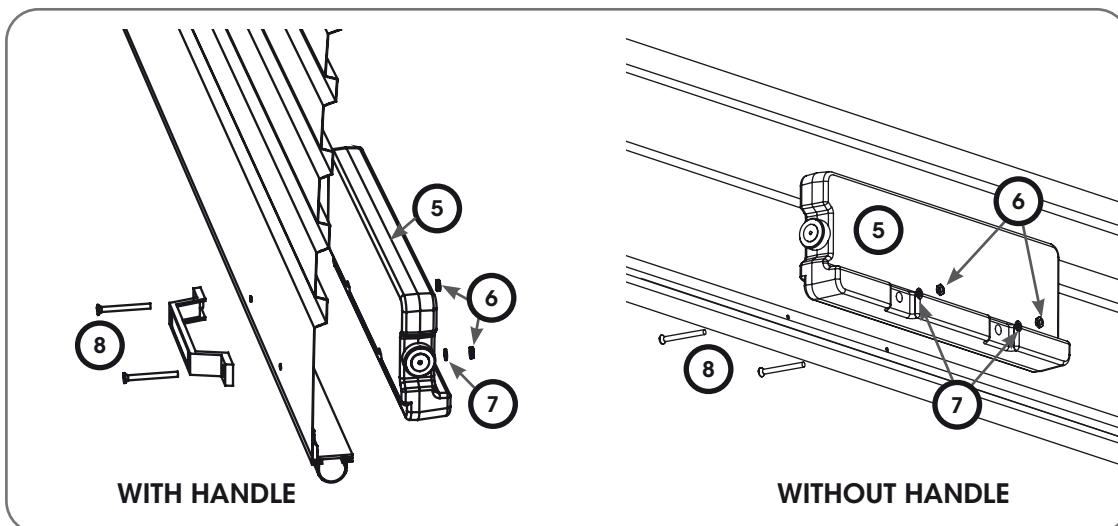
- f) Ensure door curtain enters guides smoothly. It might be necessary to adjust the guide lead in to achieve this (**Fig 2.8.5**).



**Fig: 2.8.5**



**WARNING!** For all doors that are fitted with openers. To reduce the risk of damage to persons or property, be sure to cut off any excess thread of the screw that protrudes the weight bottle and file any burs.



## 2.9 troubleshooting

Symptom	Possible cause	Remedy
Door is hard to operate in ANY DIRECTION	Door jamming in the guides	Check: a) the guide clearances b) the guides are plumb c) that the guide surfaces are clean and free from oil d) that the locking bars are the correct length e) that the weatherseal is correct length
The door is hard to operate in ONE DIRECTION	The spring tension requires adjustment	a) if the door is hard to lift, but tends to drop, refer to step 2.13 to increase the spring tension b) if the door is hard to close, but tends to rise, refer to step 2.13 to decrease the spring tension
If the door rolls up crooked	Brackets are not level	Make sure brackets are level, refer to step 2.2.
	Guides are not plumb	Make sure the guides are plumb, refer to step 2.8.
	Axle is not centred	Centralise the axle, refer to step 2.10.
Windlock door bottom rail rubs on guides	Bottom Rail wasn't notched out	Notch out bottom rail, refer to step 2.6

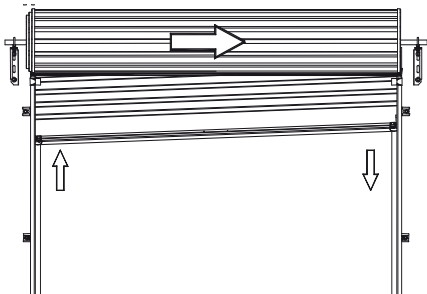
## 2.10 centralise the axle when door is mounted



**WARNING!** Ensure that pipe wrench is fitted correctly to the axle and if it is gripped onto the axle do not underestimate the tension in the spring when undoing the clamps.

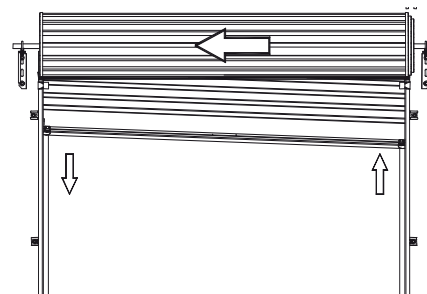


**CAUTION:** THIS ADJUSTMENT REQUIRES 2 PERSONS TO COMPLETE.



If the door rolls up crooked with the **RIGHT HAND SIDE** higher than the left proceed as follows:

- Roll the door up as high as possible and tie two ropes around the door roll approximately 300mm from each end, as a safety precaution.
- With a person at each end of the door, hold the axle firmly with a large pip wrench (Stillson) at least 450mm long.
- Loosen the "U" bolt nuts at both ends and **KEEP A FIRM GRIP ON WRENCH.**
- Move the axle to the **RIGHT** between 20 - 40mm.
- Re-tighten "U" bolts before releasing pipe wrench.
- Test and repeat if further adjustment in needed.
- If the door is stiff to work or rattles over lead-in on top of guide, then refer to Step 2.4.



If the door rolls up crooked with the **LEFT HAND SIDE** higher than the left proceed as follows:

- Roll the door up as high as possible and tie two ropes around the door roll approximately 300mm from each end, as a safety precaution.
- With a person at each end of the door, hold the axle firmly with a large pip wrench (Stillson) at least 450mm long.
- Loosen the "U" bolt nuts at both ends and **KEEP A FIRM GRIP ON WRENCH.**
- Move the axle to the **LEFT** between 20 - 40mm.
- Re-tighten "U" bolts before releasing pipe wrench.
- Test and repeat if further adjustment in needed.
- If the door is stiff to work or rattles over lead-in on top of guide, then refer to Step 2.4.



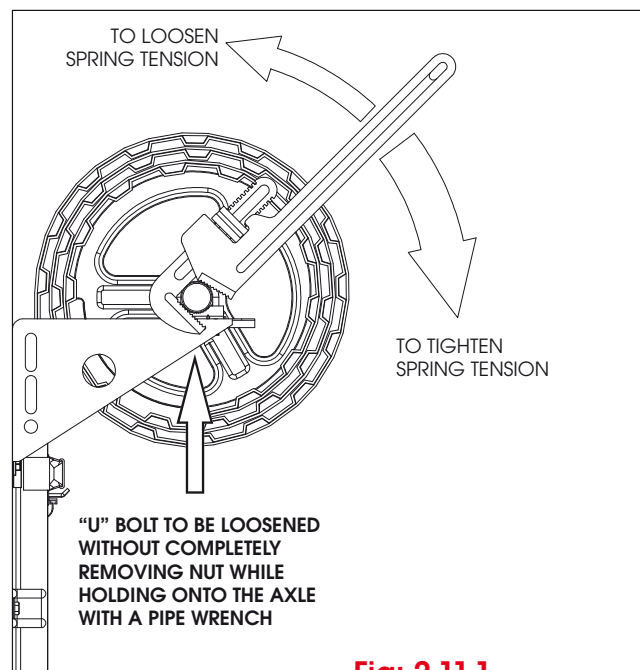
## 2.11 to adjust spring tension

**WARNING!** Ensure that pipe wrench is fitted correctly to the axle and if it is gripped onto the axle do not underestimate the tension in the spring when undoing the clamps.



**CAUTION: THIS ADJUSTMENT REQUIRES 2 PERSONS TO COMPLETE.**

- With the door rolled up tie two ropes around the door roll approximately 300mm from each end, as a safety precaution.
- With a person at each end of the door, hold the axle firmly with a large pipe wrench (Stillson) at least 450mm long.
- Loosen the "U" bolt nuts at both ends and **KEEP A FIRM GRIP ON WRENCH.**
- Rotate the axle in the required direction (see diagram).
- Re-tighten the "U" bolts **BEFORE** releasing pipe wrench.
- Test and repeat if further adjustment is necessary.



**Fig: 2.11.1**

## 3.0 appendix

### 3.1 fixing alternatives

Alternate brackets are available to accommodate various site environments. These should be used in conjunction with the standard bracket (B) and suits both L/H and R/H installation.

#### Extended Leg Brackets

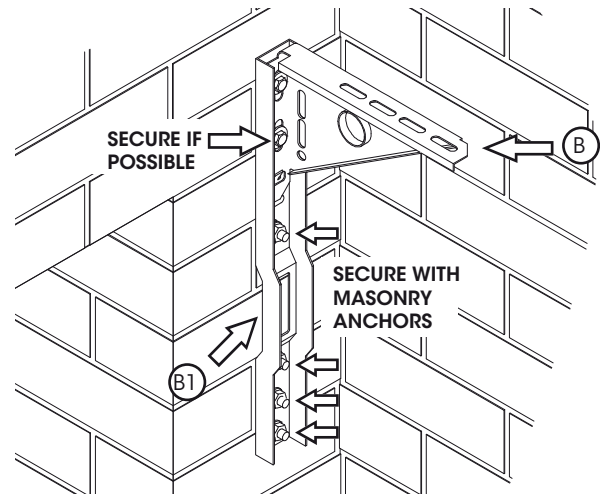
- An extended leg bracket (B1) is installed with the standard bracket (B) as shown in **Fig 3.1.1**.
- Drill holes, then attach bracket using large diameter washers with masonry anchors and nuts or equivalent.

#### Side Extended Brackets

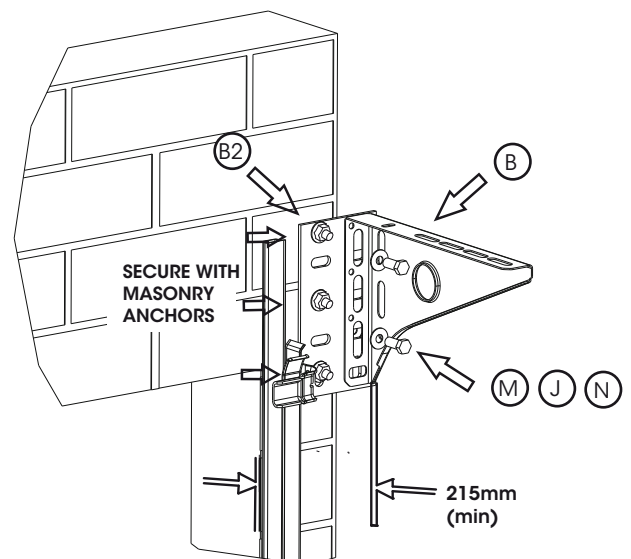
- The side extended bracket (B2) is installed with the standard bracket (B) as shown in **Fig 3.1.2**. Take note of the minimum measurement to ensure correct positioning of bracket.
- Secure standard bracket (B) to side extended bracket with 2 x hex set screws (M) with large washers (J) and nuts (N) if accessible for nuts.
- Position side extended bracket, drill holes, then attach bracket using large diameter washers with masonry anchors or equivalent.



**Clearance between substrate and side extension bracket may require packing or removing substrate material to clear the head of the bolts.**



**Fig: 3.1.1**



**Fig: 3.1.2**

### 3.2 centre lift handle

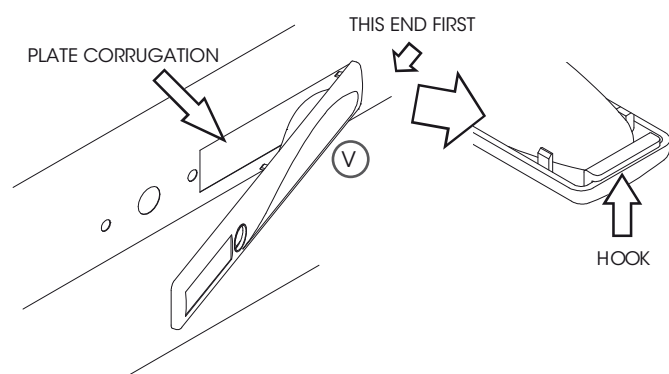


**LACERATION:** Wear appropriate gloves as some edges of the door are very sharp.

If the door is going to be fitted with an opener, do not install the Centre Lift Lock, any damage as a result of the manual lock will void the warranty for both door and opener. If handle is required, Centre Lift Handle can be purchased instead of lock.

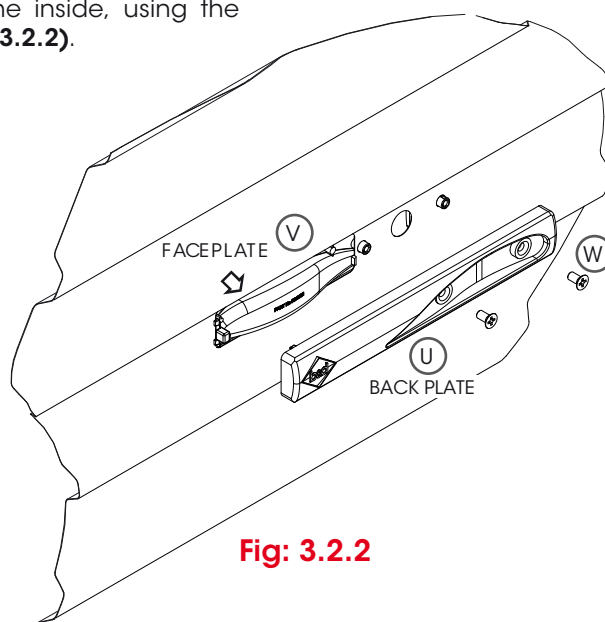
The Centre Lift Handle is an option allowing to have the convenience of a waist high handle (similar to the Centre Lift Lock), but without the need to install a lock.

- a) Fit faceplate (V) to outside of door where the hook will latch onto curtain edge, then slide faceplate as far to the right as possible. Use adhesive tape on outside to hold in position (**Fig 3.2.1**).
- b) Attach the backplate (U) to the faceplate (V) from the inside, using the mounting screws (W). Do not over tighten the screws (**Fig 3.2.2**).



**Fig: 3.2.1**

**NOTE: Not available for RIN.**



**Fig: 3.2.2**

### 3.3 fitting plastic lift handle (R1D only)

Fit the handle to the outside of the door using the screws, nuts and washers provided (Fig 3.3.1).

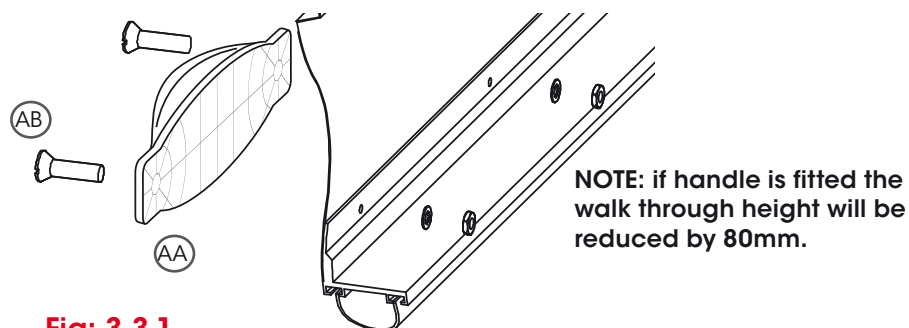


Fig: 3.3.1

### 3.4 fitting metal lift handle (R1M only)

Fit the metal handle (X) to the outside of the door using the screws (Y), nuts and washers provided (Fig 3.4.1).

The pressed metal D handle can be fitted to any position on the exterior of the door bottom rail, it may be used as a foot plate directly below the warehouse lock.

When fitting pull cords for out of reach doors the cord (Z) can be threaded through the hollow section of the D handle. A knot will need to be tied and sealed at both ends.

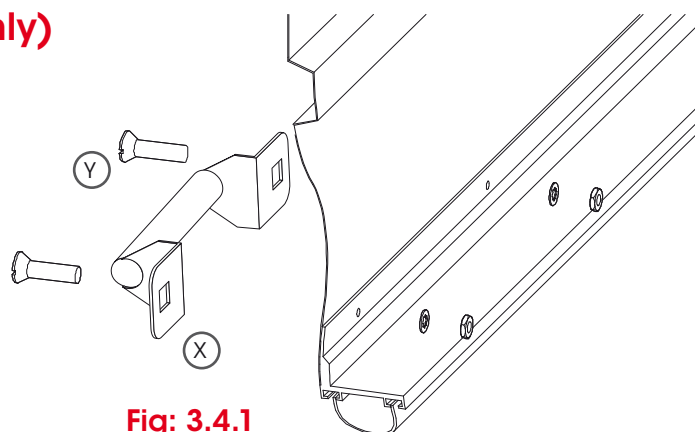



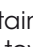
Fig: 3.4.1

NOTE: if handle is fitted the walk through height will be reduced by 80mm.



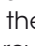


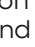

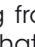
### 3.5 centre lift lock

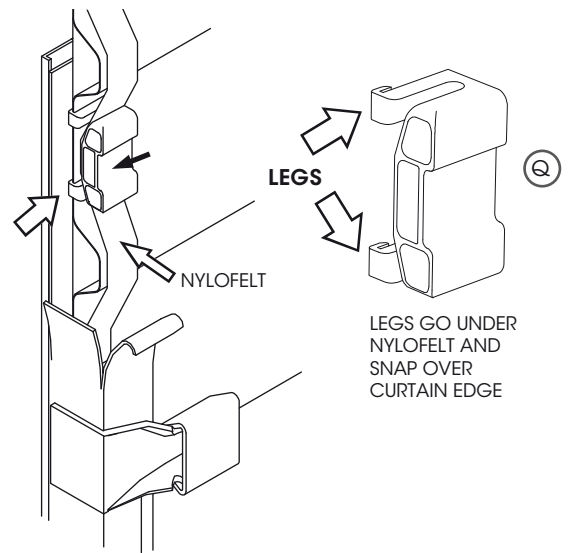
**NOTE:** Not available for RIN. Refer to Section 3.6 for different lock options available with R1M.

 **LACERATION:** Wear appropriate gloves as some edges of the door are very sharp.

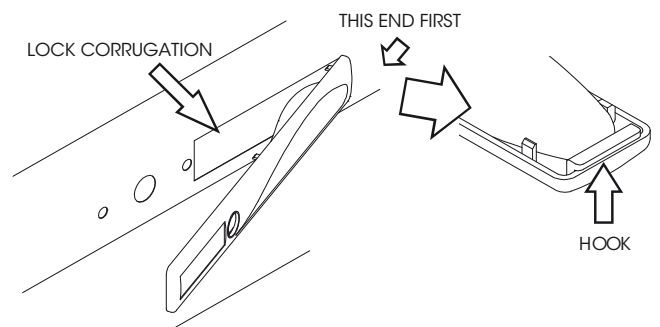
- a) Ensure a clean and dry guide surface. Wipe guide with clean rag.
- b) Raise the curtain until the lock corrugation is visible above the door guides.
- c) Install locking bar retainer  in line with lock corrugation by pushing retainer towards door edge, sliding the legs under the Nylofelt® and hooking them over the curtain edge. Ensure lock bar retainers sit squarely on door curtain **(Fig 3.5.1)**.

 **tip** It is easier to hook legs one at a time.

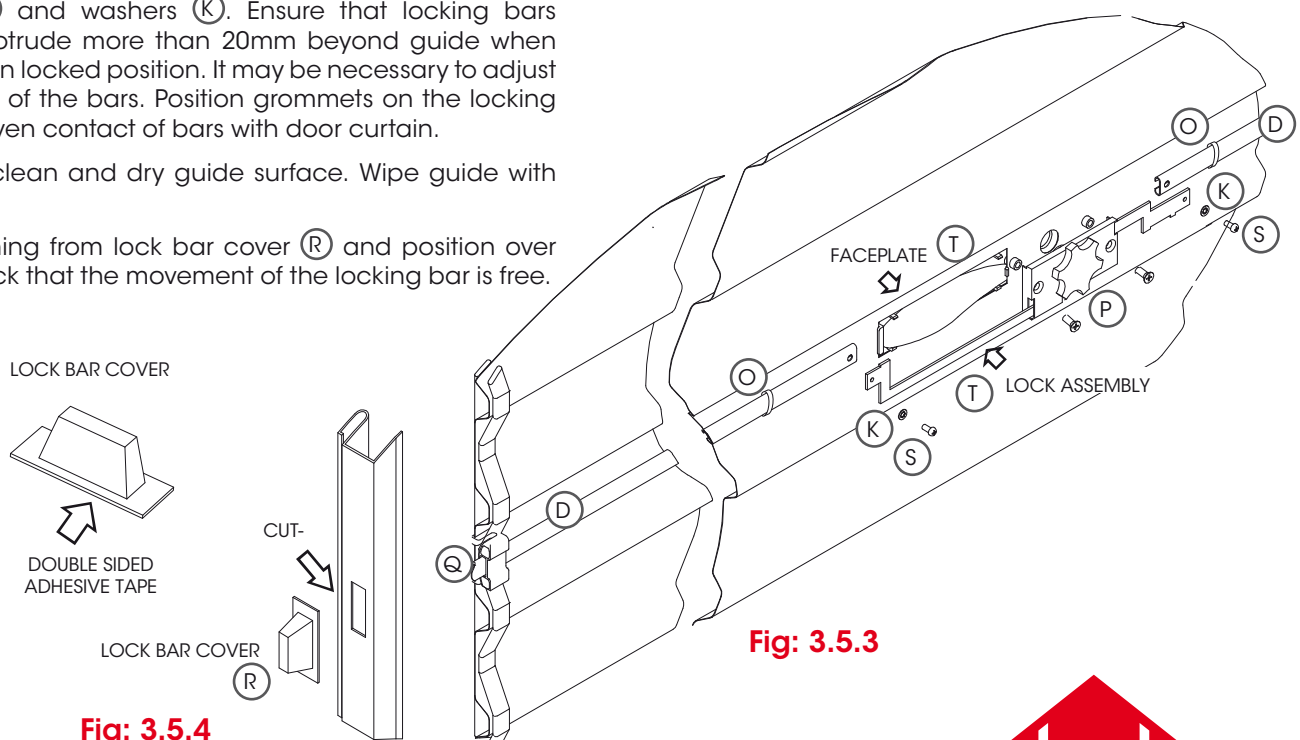
- d) Fit faceplate  to outside of door where the hook will latch onto curtain edge, then slide faceplate as far to the right as possible. Use adhesive tape on outside to hold in position **(Fig 3.5.2)**.
- e) Attach the lock assembly  to the faceplate from the inside, using the counter sunk screws . Do not over tighten the screws **(Fig 3.5.3)**.
- f) Slide grommets  over locking bars.
- g) With the door in the closed position slide the end of the locking bars  through the locking bar retainers, and while holding the bars level mark the side of the guides.
- h) Drill and file out a rectangular slot no longer than 25mm and no wider than 10mm. Ensure top of slot remains in line with top of locking bar **(Fig 3.5.4)**.
- i) Slide bars through the guide slot, then back onto lock arms. Screw on securely using the 2 x mushroom head screws  and washers . Ensure that locking bars do not protrude more than 20mm beyond guide when engaged in locked position. It may be necessary to adjust the length of the bars. Position grommets on the locking bar to prevent contact of bars with door curtain.
- j) Ensure a clean and dry guide surface. Wipe guide with clean rag.
- k) Peel off lining from lock bar cover  and position over hole. Check that the movement of the locking bar is free.



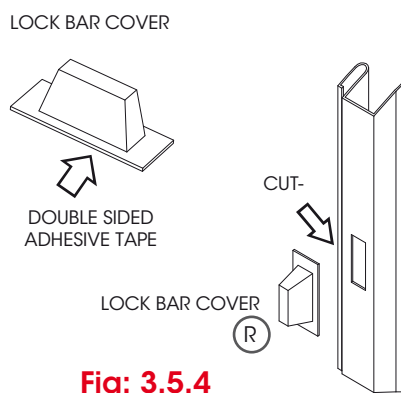
**Fig: 3.5.1**



**Fig: 3.5.2**



**Fig: 3.5.3**



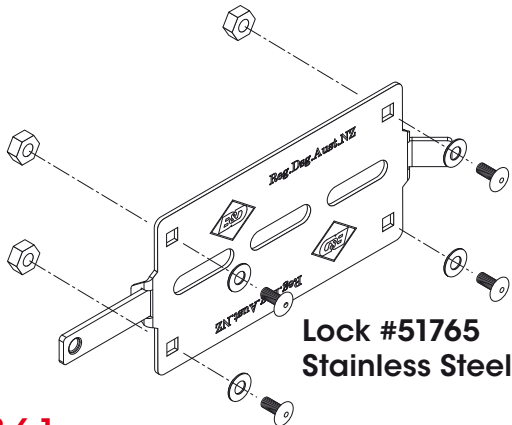
**Fig: 3.5.4**

### 3.6 additional locks (R1M)

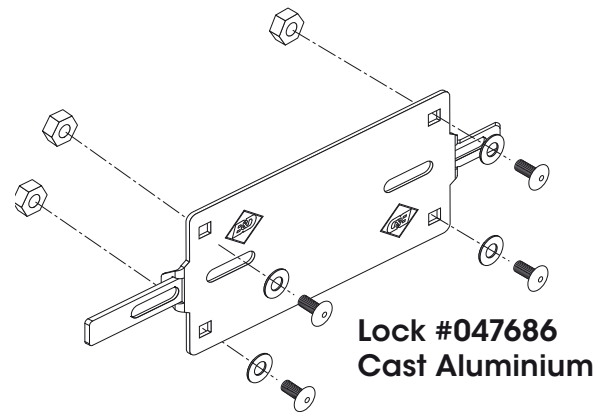
#### side locks (51765 Stainless Steel, 047686 Cast Aluminium)

These locks are fitted to the door on site to any height, but usually fitted at waist height to the left or right side.

- Position the lock approximately 40mm from the edge of the curtain.
- Using the lock faceplate as a template, drill 4 x 6mm holes.
- Secure with the dome head bolts, washers and wiz nuts as shown in **Fig 3.6.1** and **3.6.2**.



**Fig: 3.6.1**



**Fig: 3.6.2**

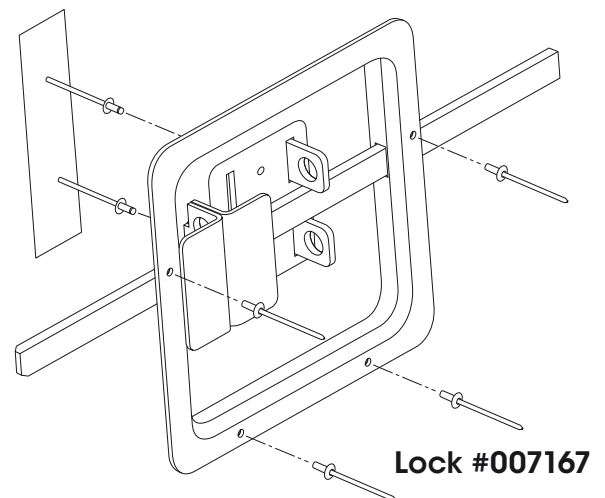
#### lock 007167



The door curtain is pre punched in the factory for this lock. Indicate left or right position at time of order.

This lock is fixed at waist height and cannot be changed. To assemble the lock;

- Fasten the pressed metal body to the door curtain using 4 x rivets as shown in **Fig 3.6.3**.
- The angled keeper plate has 2 rivets that must be inserted from the inside.
- To prevent the door curtain from being marked, cut the silicon tape into 5 pieces and place as follows; one long piece over the heads on the angled keeper rivet heads. The remaining 4 smaller equal sized pieces are attached to edge of each of the small corrugations (this prevents the cut edge marking the exterior of the curtain).



**Fig: 3.6.3**



**CAUTION:** It is important to fit this tape before the door is fully operated.

## 3.7 after installation care

### cleaning

**BLUESCOPE COLORBOND® FINISH** Your B&D Roll-A-Door® door has been pre-painted with a silicone modified polyester formulation, which is one of the best paint films commercially available today. However, all exposed surfaces require some attention to guard against the premature onset of corrosion and any other harmful atmospheric effects. In our atmosphere there are harmful deposits that gather on the door surface and if not removed regularly, will seriously affect the appearance and life of the door.

Washing of the door with clean water and a cloth every 14 days is recommended – particular care should be taken to clean areas of the door not normally washed by rain, including the top of the door roll inside the garage.

**NOTE:** In locations where there is likely to be salt in the air or industrial fallout is severe, more frequent washing is advisable and additional protection of the surface maybe required.

Touch-up paint, if required, is available from your B&D dealer.

### lock

Your lock does not require special maintenance, however, if the keyway becomes stiff, the application of powdered graphite is recommended – do not grease or oil the lock. The faceplate should be washed with soapy water and rinsed well. Strong solvents, such as acetone, should not be used – these will damage the surface. **WARNING!** Do not disassemble the lock mechanism.

When opening the door, always make sure the key is with drawn from the lock – if this is not done, the lock mechanism could be damaged and the key bent or broken.

We suggest you record your full Key letter and Number on the front of this manual and if replacement keys are required they can be obtained from your nearest B&D office, simply by quoting this number. If the keys have been lost and the number not recorded, it can be found stamped into the locking arm at the back of the mechanism.

**NYLOFELT®** On no account should you use grease or oil in the door guides or on the Nylofelt® running strips – the grease or oil will clog the Nylofelt® and spoil the operation of the door. An occasional wipe with a cloth dampened with mineral turps or methylated spirits, down the inside of each guide, is very beneficial in removing any trace of grease or dirt.

After the guides have been cleaned, a silicon spray may be used in the guides.

**NOTE:** WD40 or similar oil based sprays are not silicon and should not be used.

Care should be taken not to damage the Nylofelt®, however, if Nylofelt® is cut or damaged, a lighted match should be used to quickly seal the ends of the nylon braiding, so as to stop any further deterioration.

### regular maintenance required

B&D recommends that you check the operation of your Roll-A-Door® at least every six months (more regularly in extreme environments or frequent use). The effort required to manually open and to manually close the door should be about the same (if door has an automatic opener, put into manual mode before testing door). If the door is difficult to operate in either direction (up or down) then check:

- 1) that the Nylofelt® running strips on each side of the door have not slipped from the edge and are jamming the door;
- 2) that the door is running correctly in the guides and the guides are straight and perpendicular; and
- 3) that the inside surfaces of the guides are clean and free of obstructions. (see paragraph on care of Nylofelt®)

If you have checked these (and corrected where necessary) and the door is still difficult to operate, then your door will need a service to adjust the spring tension and possibly other operational parts of the door. This service should only be carried out by an experienced door technician, using the correct tools.

If you have an automatic opener fitted to your door, it is particularly important that you ensure the optimum operation of the door, otherwise you may reduce the effective life of the opener.

To keep your door running well, it is recommended that your door be serviced, by an experienced door technician, every 12 months (more regularly in extreme environments or frequent use), or earlier if required.

### spring tension

It is natural for springs to lose tension over time. When spring tension is adjusted or when your door is first installed it is usual to apply a little more tension than is required for balanced operation, to allow for the normal "settling in" of the springs.

### warranty

Warranty conditional on proper care as recommended above. Full details of the warranty are available in your owners handbook, from your nearest B&D office or visit the B&D website [www.bnd.com.au](http://www.bnd.com.au)

### b&d doors office locations

<b>Head Office</b>	6-8 Fiveways Blvd, Keysborough 3073	Phone (03) 9791 2000
<b>New South Wales</b>	34 Marigold St, Revesby 2212	Phone (02) 9722 5555
<b>Queensland</b>	17 Oasis Court, Clontarf 4019	Phone (07) 3883 0200
<b>Victoria</b>	147-153 Canterbury Rd, Kilsyth 3137	Phone (03) 9237 7766
<b>South Australia</b>	23 Frederick Rd, Royal Park 5014	Phone (08) 8440 4747
<b>Western Australia</b>	96 Mulgool Rd, Malaga 6090	Phone (08) 9247 8777
<b>International/Export</b>	34 Marigold St, Revesby 2212	Phone +61 (0)2 9722 5555

your representative is

Prefixed trademarks are the property of B&D Australia Pty Ltd. B&D Doors & Openers is a division of B&D Australia Pty Ltd. ABN 25 010 473 971. © 2018 B&D Australia Pty Ltd.

[www.bnd.com.au](http://www.bnd.com.au)

**b&d**